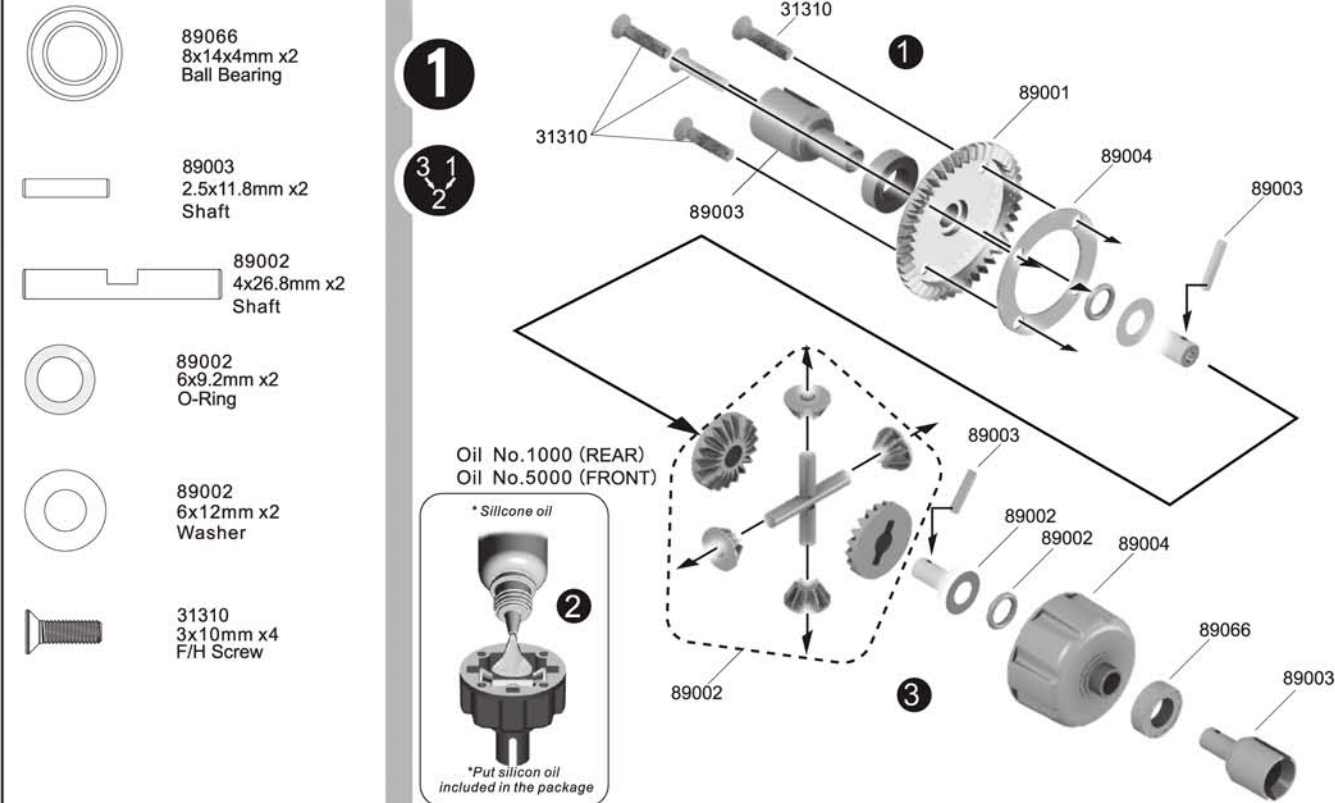
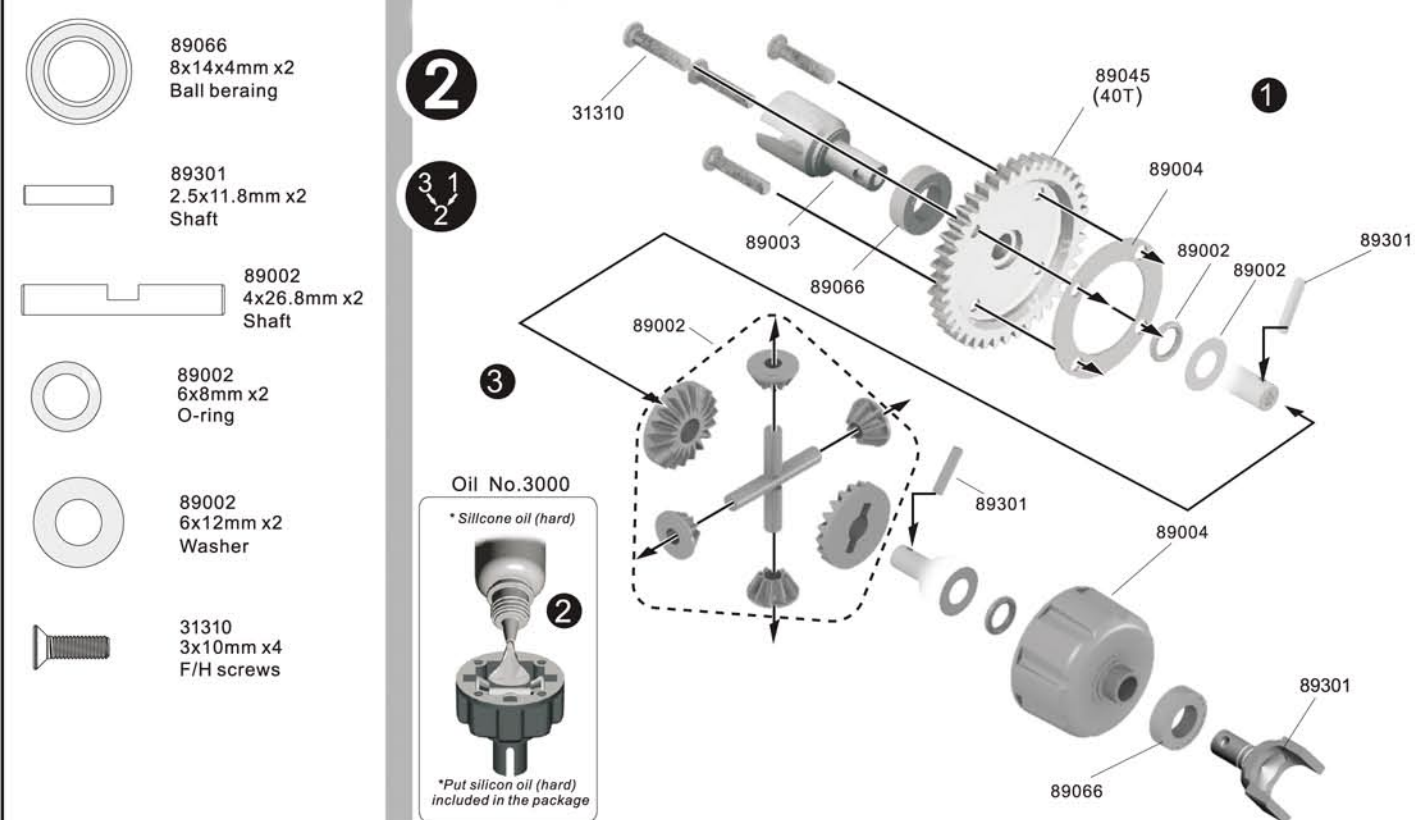


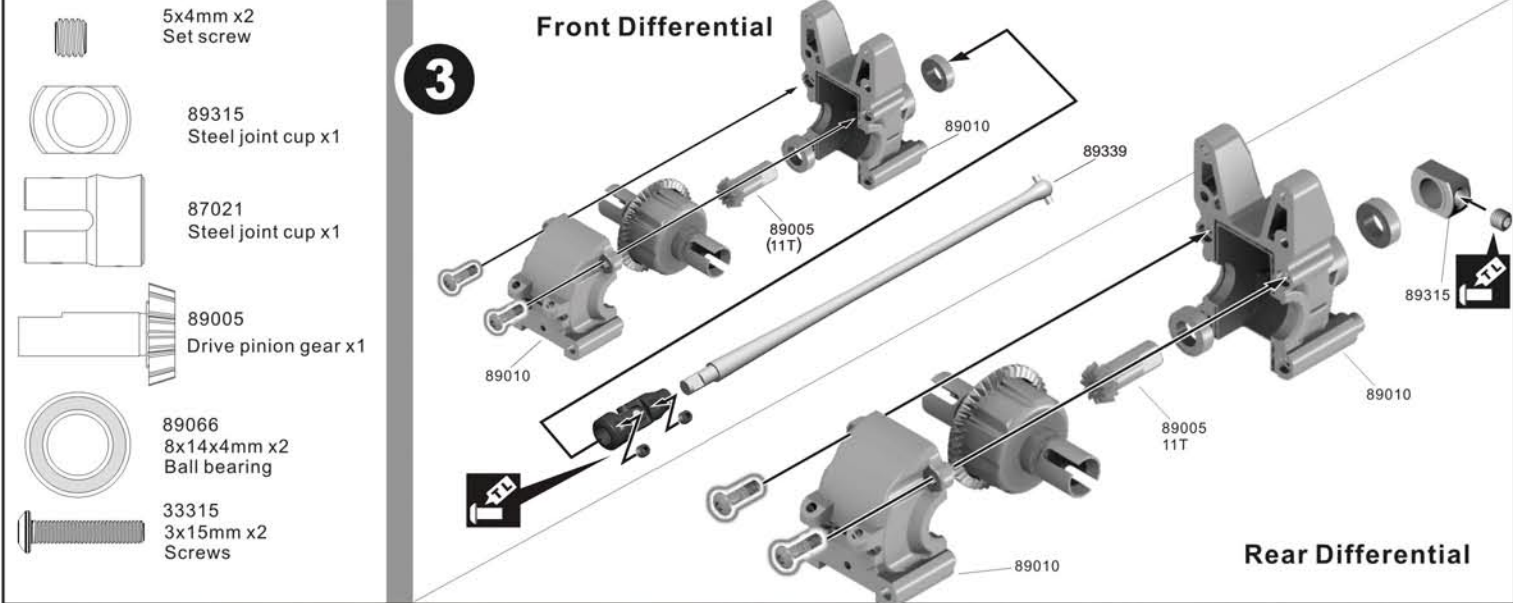
Assembly of Front/Rear Differential



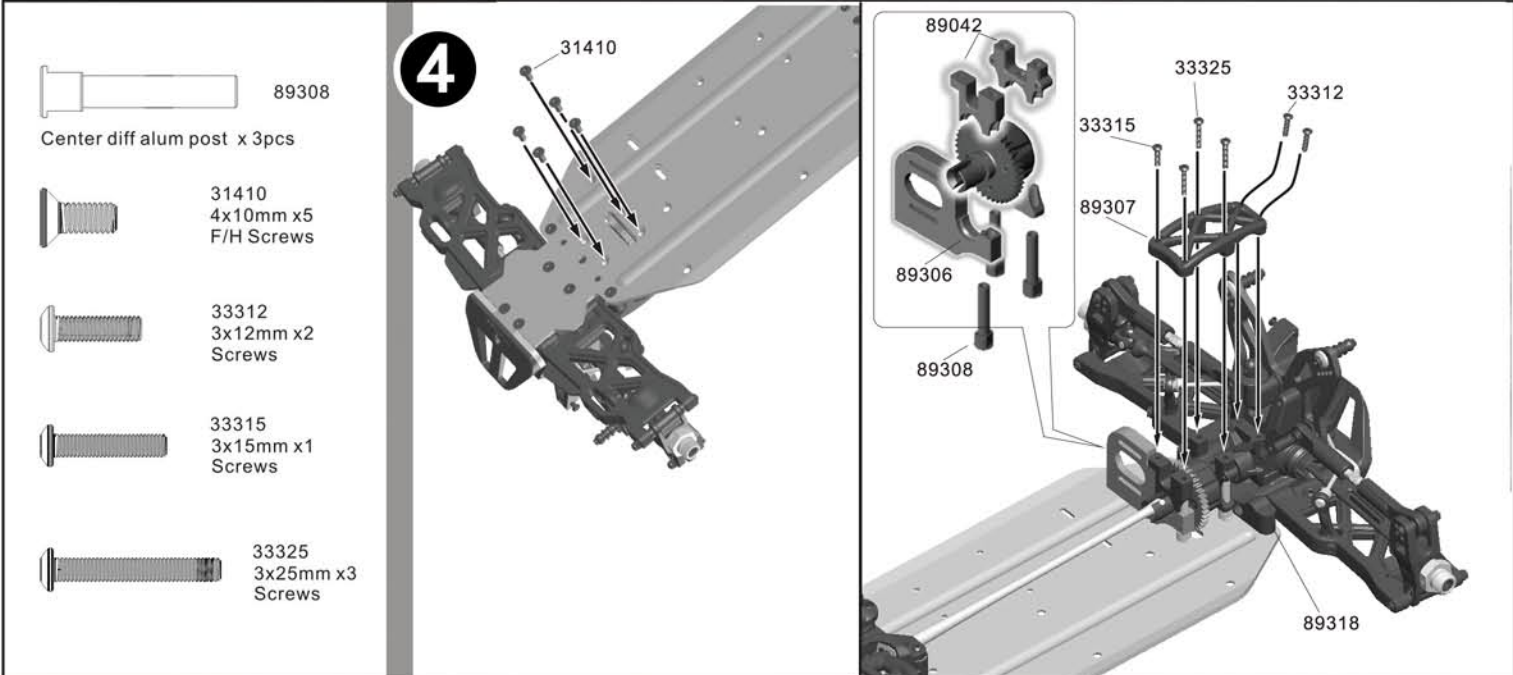
Assembly of Center Differential



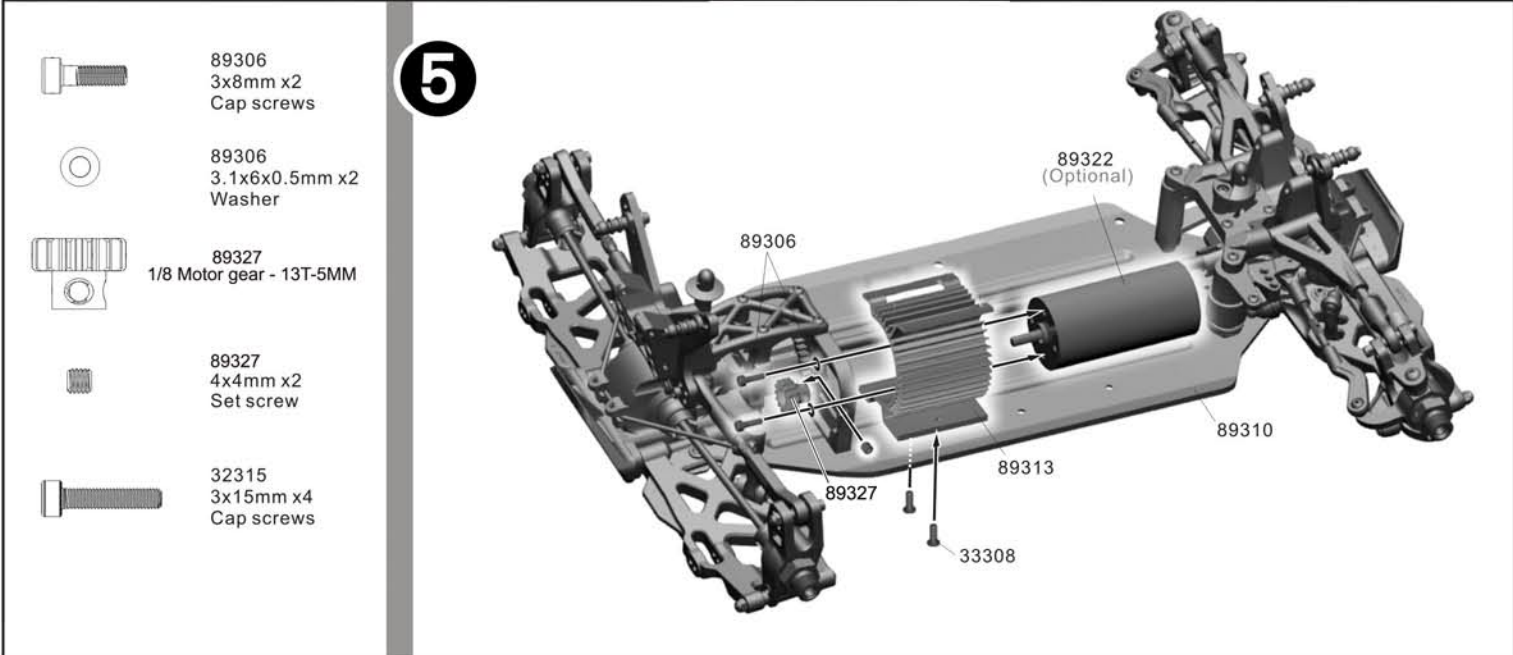
Assembly of Gear Box & Front / Rear Differential



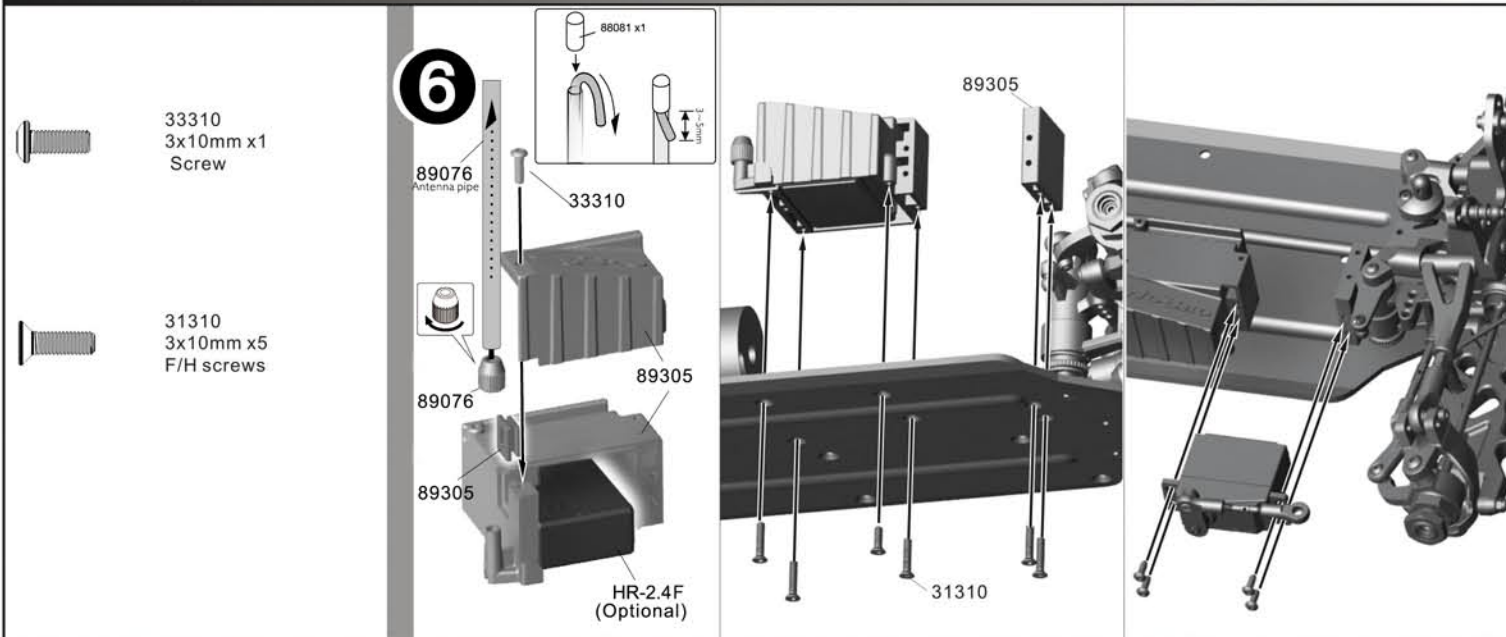
Assembly of the center Diff with Alum Motor Mount and Rear Support Plate



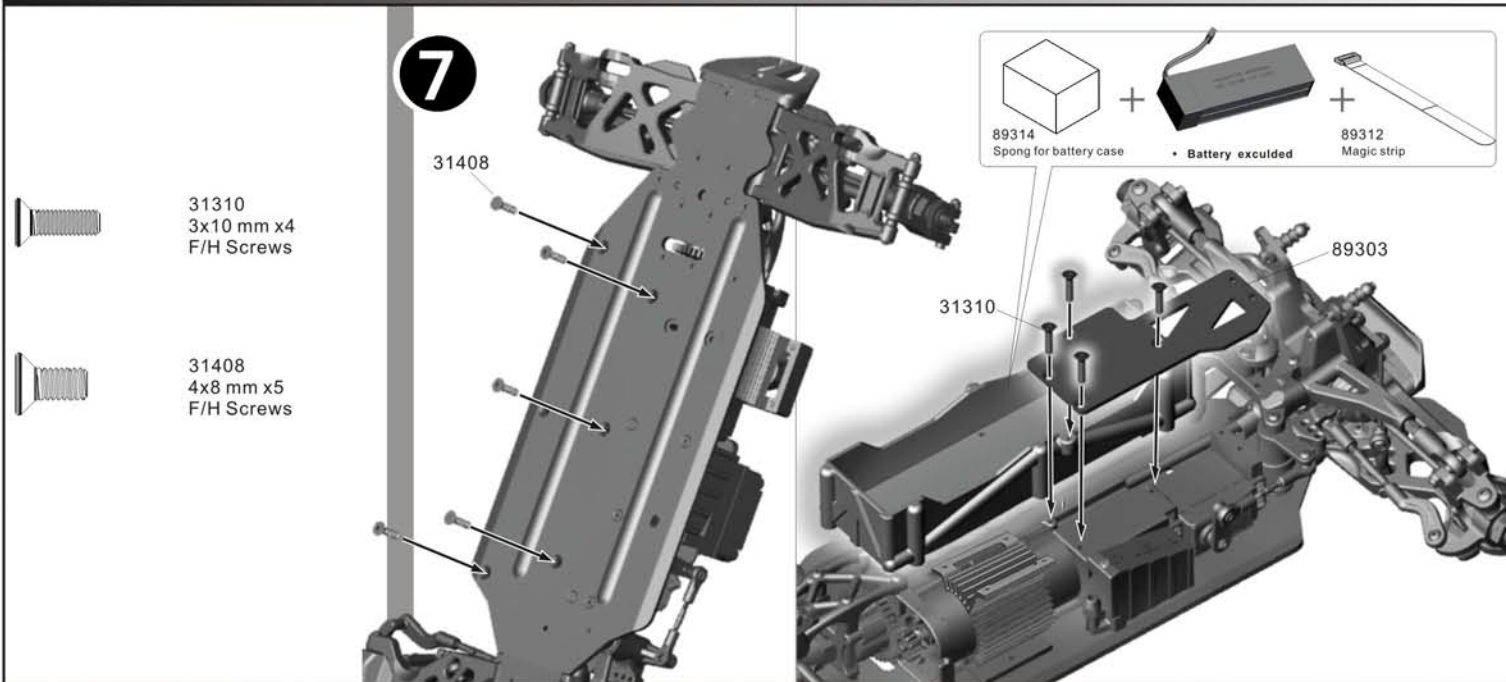
Assembly of Motor with Gear and Motor Mount with Fan



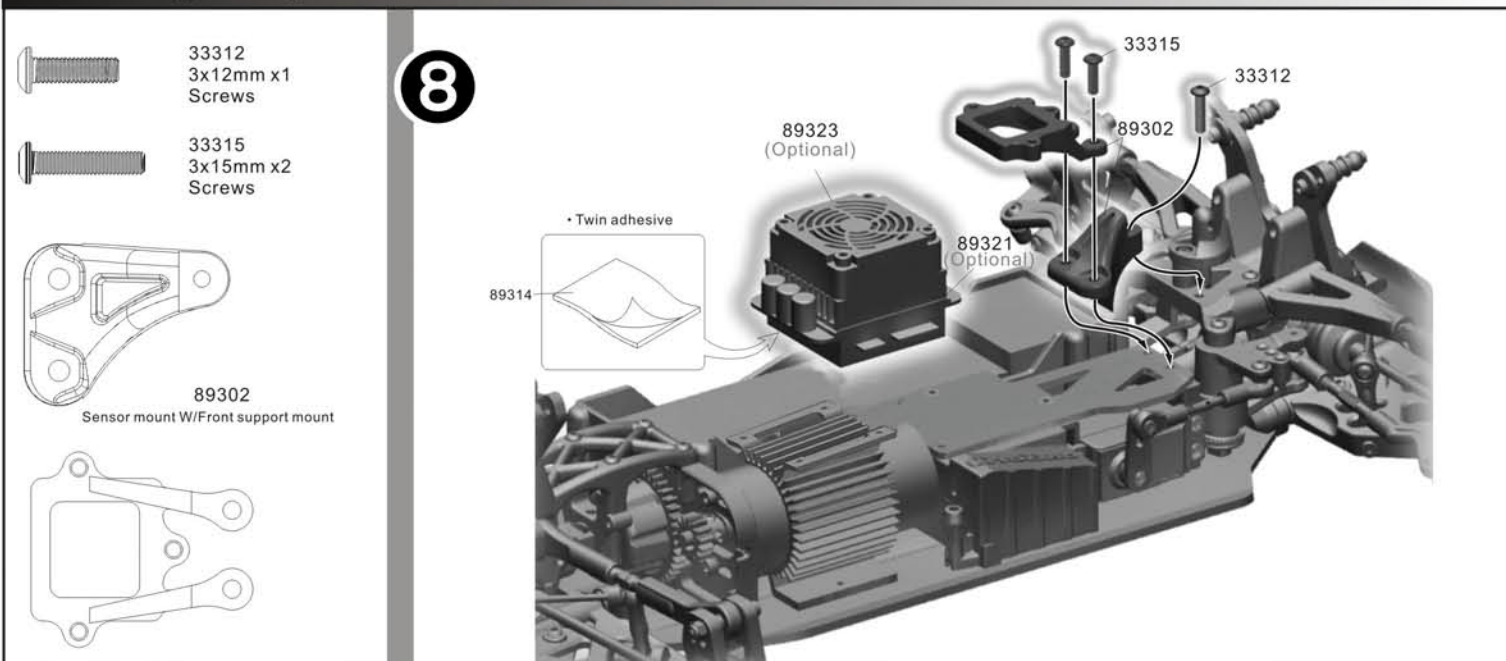
Assembly of Receiver Box and Servo



Assembly of Alum Radio tray and Battery case



Assembly of Speed Controller and Sensor Mount



STANDARD PARTS

89001 CROWN GEAR	89300 HYPER 9 PRO ELECTRIC CONVERSION KIT	89421 1/8 150A-SD-V1-R BRUSHLESS SPEED CONTROLLER
89002 BEVEL GEAR	89301 STEEL FLAT JOINT CAP, W/SHAFT	89422 1/8 150A 2000KV BRUSHELESS MOTOR
89003 F/R DIFFERENTIAL DRIVE SHAFT	89302 SENSOR MOUNT W/FRONT SUPPORT MOUNT	89423 1/8 150A BRUSHELESS PROGRAM CARD
89004 DIFFERENTIAL CASE	89303 CNC ALUM RADIO TRAY	HT-2.4EF HO BAO 2.4 GHZ LED R/C SET
89005 DRIVE PINION GEAR, 2 PCS	89304 BATTERY CASE	HT-2.4CF HO BAO 2.4 GHZ LCD R/C SET
89006 CNC STEERING KNUCKLE - ALUM 7075	89305 RECEIVER BOX	HR-2.4 HO BAO 2.4 GHZ RECEIVER
89007 FRONT LOWER ARM HOLDER - PLASTIC	89306 CNC ALUM MOTOR MOUNT	SCREW
89008 FRONT C-HUB SET	89307 REAR SUPPORT PLATE	31208 M2.6 X 8 HEX SOCKET COUNTERSUNK HEAD SCREWS
89009 CVD SHAFT	89308 CENTER DIFF ALUM POST, 3 PCS	31305 M3 X 5 HEX SOCKET COUNTERSUNK HEAD SCREWS
89010 GEAR BOX, PAIR	89310 ALUM CHASSIS	31306 M3 X 6 HEX SOCKET COUNTERSUNK HEAD SCREWS
89012 CNC FRONT LOWER ARM HOLDER (FF)	89312 MAGIC STRIP	31308 M3 X 8 HEX SOCKET COUNTERSUNK HEAD SCREWS/STAY SET
89013 SCREWS M3 X 50 & M 3 X 47	89313 CNC ALUM MOTOR HEAT SINK	31310 M3 X 10 HEX SOCKET COUNTERSUNK HEAD SCREWS
89014 ARM SHAFT M 4 X 66, 4 PCS	89314 SPONGE FOR BATTERY CASE	31316 M3 X 16 HEX SOCKET COUNTERSUNK HEAD SCREWS
89015 CNC FRONT SHOCK TOWER - ALUM 7075	89315 STEEL FLAT JOINT CAP	31320 M3 X 20 HEX SOCKET COUNTERSUNK HEAD SCREWS
89016 FRONT BOTTOM ARM, PAIR	89316 CLEAR BODY FOR ELECTRIC CAR	31408 M4 X 08 HEX SOCKET COUNTERSUNK HEAD SCREWS
89017 SET SCREWS M 5 X 8, 4 PCS	89317 SCREWS SET FOR HYPER 9 ELECTRIC CAR	31410 M4 X 10 HEX SOCKET COUNTERSUNK HEAD SCREWS
89018 FRONT UPPER ARM, PAIR	89318 REAR LOWER ARM HOLDER	31414 M4 X 14 HEX SOCKET COUNTERSUNK HEAD SCREWS
89019 ARM SHAFT M 3 X 42, 2 PCS	89327 1/8 MOTOR GEAR - 13T-5MM	32308 M3 X 8 HEX SOCKET HEAD CAP SCREWS
89020 FRONT UPPER ARM HOLDER - PLASTIC	89339 NEW STEEL CENTER DRIVE SHAFT	32310 M3 X 10 HEX SOCKET HEAD CAP SCREWS
89021 CNC FRONT UPPER PLATE - ALUM 7075	89510 REAR SHOCK TOWER - CNC 7075	32316 M3 X 16 HEX SOCKET HEAD CAP SCREWS
89022 FRONT STABILIZER SET	89511 REAR BOTTOM ARM FOR B-VERSION	32322 M3 X 22 HEX SOCKET HEAD CAP SCREWS
89025 REAR UPPER ARM	88002 HEX SCREW M 4 X 47	32325 M3 X 25 HEX SOCKET HEAD CAP SCREWS
89026 TITANIUM TURNBUCKLE FOR REAR UPPER ARM	88115 ALUM COLLAR	33308 M3 X 8 HEX SOCKET BUTTON HEAD SCREWS
89027 REAR WHEEL HUB, PAIR	87016 STEEL BALL END M 6.8	33310 M3 X 10 HEX SOCKET BUTTON HEAD SCREWS
89028 REAR UNIVERSAL JOINT SHAFT	87018 SHOCK BOOTS	33312 M3 X 12 HEX SOCKET BUTTON HEAD SCREWS
89029 CNC REAR LOWER ARM HOLDER - ALUM 7075	87021 STEEL JOINT CUP	33315 M3 X 15 HEX SOCKET BUTTON HEAD SCREW
89030 CNC FRONT LOWER ARM HOLDER (FR)	87330 TURNBUCKLE M 5 X 30 FOR FRONT UPPER ARM	33325 M3 X 25 HEX SOCKET BUTTON HEAD SCREW
89031 REAR STABILIZER SET	87375 BODY CLIP	33410 M4 X 10 HEX SOCKET BUTTON HEAD SCREWS
89032 WING MOUNT	87027H WHEEL HUB SET - HARD COATING	33412 M4 X 12 HEX SOCKET BUTTON HEAD SCREWS
89034 FRONT/REAR BUMPER SET	87421 FRONT/REAR SHOCK SPRING 20MM-HARD	35410 M4 X 10 PAN HEAD SCREWS
89036 SERVO SAVER SET	87422 FRONT SHOCK ABSORBER SET 20MM	38303 M3 X 3 SET SCREWS
89037 SERVO SAVER ARMS	87423 REAR SHOCK ABSORBER SET 20MM	38404 M4 X 4 SET SCREWS
89038 TURNBUCKLE FOR STEERING	87424 FRONT/REAR SHOCK ABSORBER SET 20MM	38405 M4 X 5 SET SCREWS
89039 NYLON STEERING BALL END	87562 NEW WING	38505 M5 X 5 SET SCREWS
89042 CENTER DIFFERENTIAL MOUNT	84076 BALL BEARING M 8 X 16	39008 NYLON NUT M 3
89045 STEEL SPUR GEAR - 40 T	84078 BALL BEARING M 6 X 10	39408 M4 X 8 HEX SOCKET "I" HEAD SCREWS
89054 TURNBUCKLE FOR STEERING SERVO	22115 BALL BEARING M 12 X 18	33413T M4 X 13 HEX SOCKET BUTTON HEAD TAPPING SCREWS
89066 BALL BEARING M 8 X 14	224210 SINK ALUM WASHER 3MM	33415T M4 X 15 HEX SOCKET BUTTON HEAD TAPPING SCREWS
89071 SEAL FOR GEAR BOX ONTO CHASSIS	FR-25 INNER FOAM FOR TIRE	33418T M4 X 18 HEX SOCKET BUTTON HEAD TAPPING SCREWS
89074 WHEEL, 2 PCS	OPTIONAL PARTS	SC8015 WASHER M 2.7 X 6.5 X 0.6
89075 TIRE - SQUARE SPIKE, 2 PCS	89311 1/8 MOTOR GEAR - 14T - 5MM	SW 3 NI SPRING WASHER M 3
89076 ALUM ANTENNA MOUNT	89319 CNC ALUM REAR HINGE PIN HOLDER	
89077 REAR WING WITH MOUNT	89320 1/8 80A BRUSHLESS SPEED CONTROLLER & 2350 KV MOTOR SET	
89078 STEEL BALL END 6.8MM	89321 1/8 80A BRUSHLESS SPEED CONTROLLER	
89079 ADJUSTABLE INSERT SET	89322 1/8 3674SL - 2350 KV BRUSHLESS MOTOR	
89101 FRONT SHOCK BODY 20MM, 2 PCS	89323 1/8 FAN FOR SPEED CONTROLLER	
89102 REAR SHOCK BODY 20MM, 2 PCS	89324 1/8 PROGRAM CARD-C-V1	
89103 SHOCK SHAFT 20MM, 4 PCS	89325 1/8 MOTOR GEAR - 15T - 5MM	
89104 SHOCK PISTON 20MM, 4 PCS	89326 1/8 MOTOR GEAR - 16T - 5MM	
89105 SHOCK BLADDER 20MM, 4 PCS	89328 1/8 MOTOR GEAR - 17T - 5MM	
89107 SHOCK STEEL BALL END 7.8MM, 4 PCS	89329 1/8 MOTOR GEAR - 18T - 5MM	
89108 ADJUSTABLE SHOCK RING, 4 PCS	89330 1/8 PRINTED BODY FOR HYPER 9 ELECTRIC CAR	
89109 SHOCK NYLON SET	89331 CNC FRONT SUPPORT BRACE FOR H9 ELECTRIC CAR	
89110 SHOCK ABSORBER REPAIR SET	89332 CNC REAR SUPPORT BRACE FOR H9 ELECTRIC CAR	
	89420 1/8 150A BRUSHLESS SPEED CONTROLLER & 2000 KV MOTOR SET	